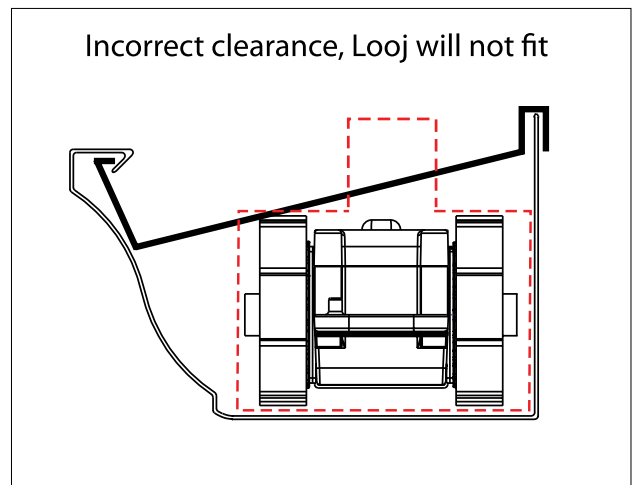
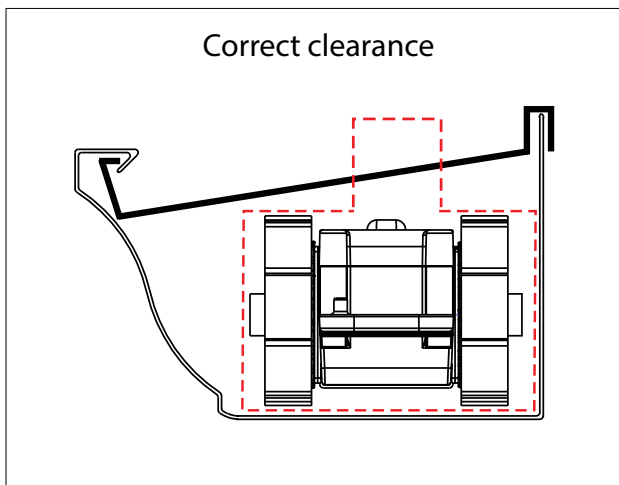
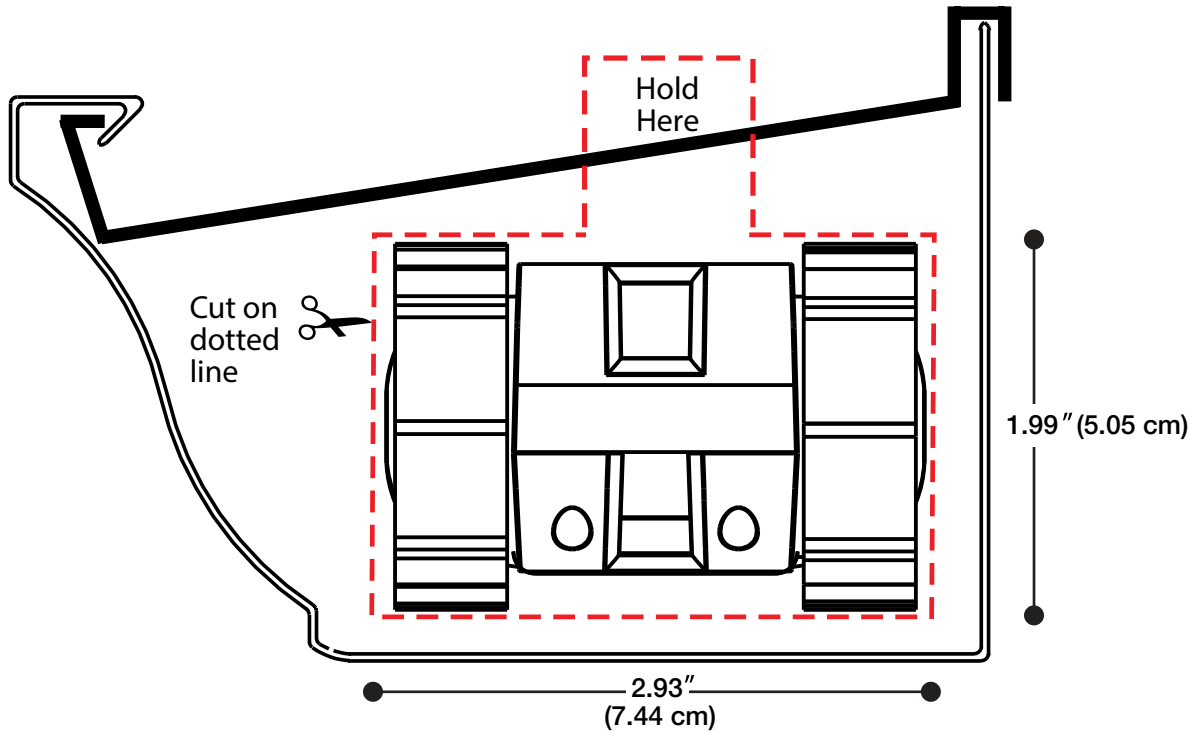


# iRobot Looj® Measurement Template

Use this sheet to determine if Looj will fit into your gutter. Gutter must have 1.99" (5.05 cm) of clearance.

1. Print this sheet and cut out the Looj profile on the dotted line.
2. Place in the gutter under the gutter straps.
3. If the cut-out is below your straps, Looj will clean your gutter.



**iRobot®**